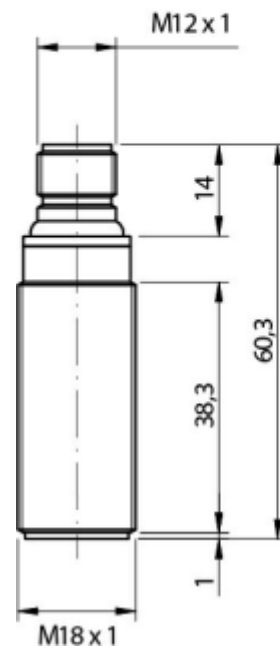


M18 Ultrasonic transmitter

cylindrical ultrasonic



Indicative image



Detection properties

Nominal sensing distance	1200mm
Thermal drift of Sr Repeat	≤2%
Accuracy	0,50%
Beam angle	8° ± 2°
Sensitivity adjustment	≤3mm
Hysteresis	Remote teaching
thermal compensation	1%
Minimum sensing distance (blind zone)	Yes
Linearity error	80mm
	1%

Application

Function Principle

Diffuse reflection

Outputs

Output type	4...20mA
Output Function	Positive/Negative Slope
Switching frequency	5Hz

Responsetime	500ms
--------------	-------

Electrical data

Operating Voltage	10 - 30Vdc
No-Load supply current	≤35mA @Val =30V
Load current	100mA
Leakage current	10μA @ 30Vcc
Output voltage drop	2,2Vmax. @ IL=100 mA
Max ripple content	5%
LED indicators	green: echo - yellow: output
Time delay before availability	≤300ms
Short-circuit protection	Yes
Reverse Polarity Protection	Yes
Impulsive Overvoltage Protection	Yes

Mechanical data

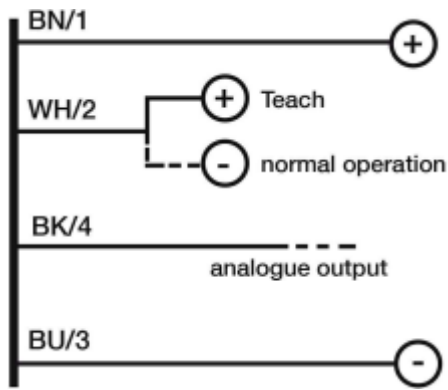
Dimensions	M18 x 1/ L = 60,3mm
Weight	65g
Material	PBT housing, Parylene coating treatment of active head, geolast ring
Connections	M12 Plug
Tightening torque	1Nm
Operating temperature	-20°C...+ 70°C
Storage temperature	-35°C...+ 80° C without freeze
Transducer Frequency	200kHz
Diameter/Dimension	M18

Test/Approvals

Approvals	CE cULus
EMC compatibility	IEC 60947-5-2
Shocks and vibrations	IEC EN60947-5-2 / 7.4
Degree of protection	IP67

Accessories

Supplied Accessories	2 nuts M18x1, 2 washers Ø 18
----------------------	------------------------------

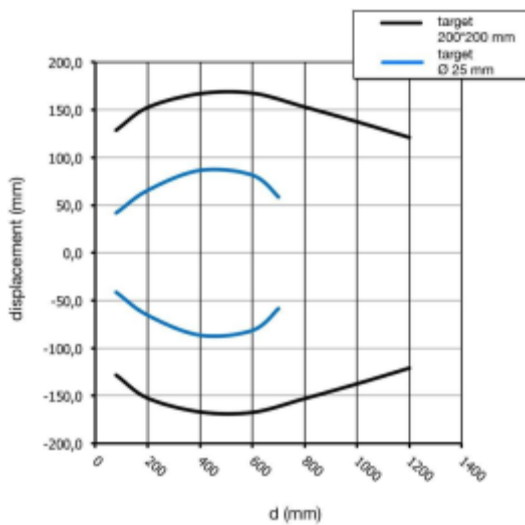


CONNECTOR



RESPONSE CURVES

Disassamento Parallelo



Mecodo
't Walleetje 5b
8300 Knokke-Heist
Belgium

date of printing
25/06/2020 10:51:42



MECODO

CONNECT. ANYTHING. ANYWHERE.

SwimControl Mecodo BV
'T Walleetje 5B
8300 Knokke-Heist
Belgium
☎ +32 622694
Email info@mecodo.com
www.mecodo.com